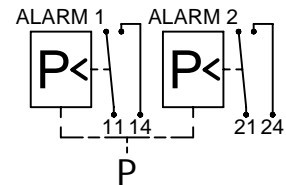
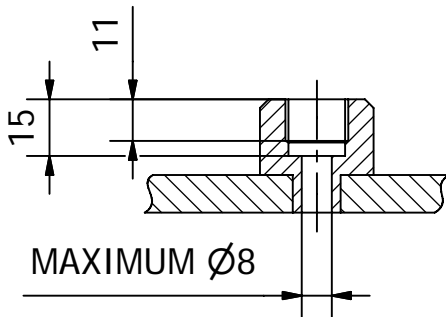
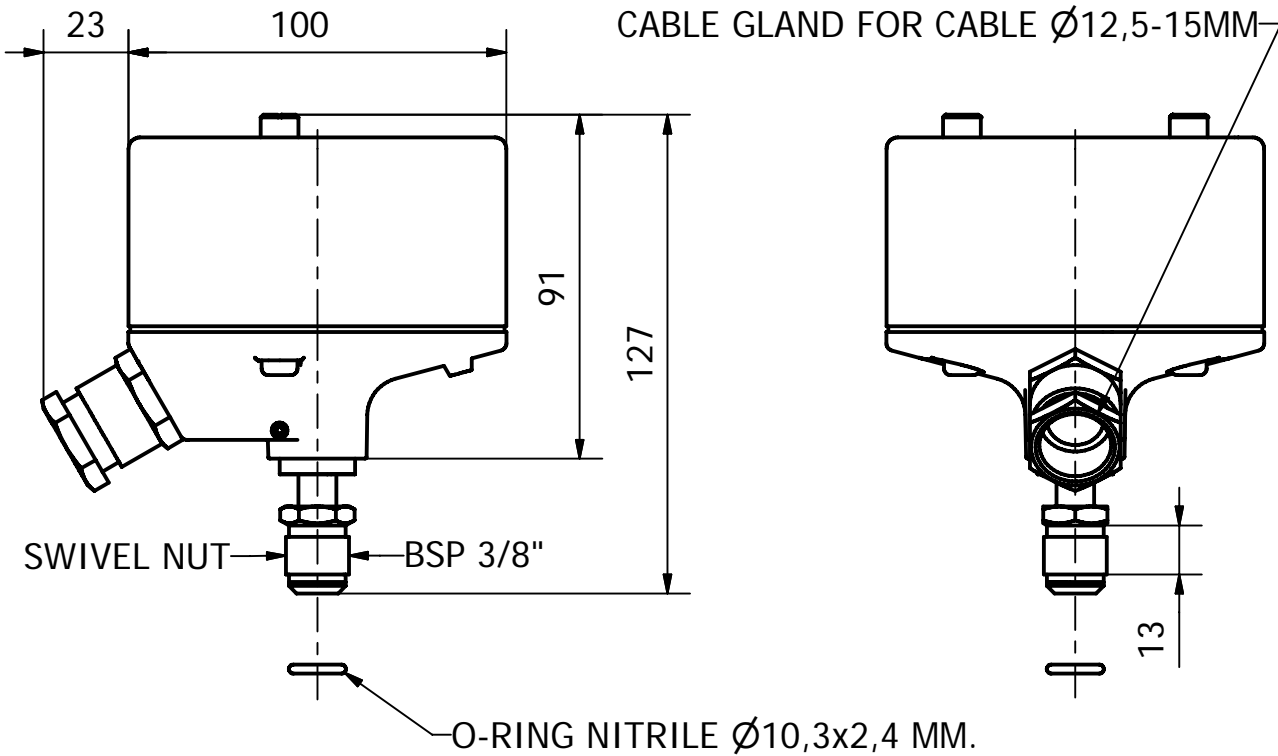


NOTICE
 THIS DRAWING IS THE PROPERTY OF QUALITROL/QUALITROL AKM AND IS LOANED ONLY ON THE CONDITION THAT IT WILL BE USED TO FACILITATE THE PURPOSE FOR WHICH INTENDED AND NOT BE REPRODUCED, COPIED OR OTHERWISE DISPOSED OF, AND IS NOT TO BE USED IN WHOLE OR PART FOR FURNISHING INFORMATION RELATIVE TO THE MAKING OF DRAWINGS, PARTS APPARATUS OR PARTS THEREOF, EXCEPT BY WRITTEN ORDER FROM QUALITROL/QUALITROL AKM.

MODEL NO. 47500



TECHNICAL DATA

TYPE NUMBER: AKM 47500-"ALARM 1 / 2" (EX. AKM-47500-25/30)
 SWITCHING RANGE: 10-50kPa / 10-200kPa available (IN TYPE NO.).
 SWITCHING ACCURACY: ±3kPa
 SWITCHING DIFFERENTIAL: MAX. 5kPa
 SWITCH TYPES: MICROSWITCHES
 5A 250VAC
 0,3A 110VDC L/R=10 ms.
 AMBIENT TEMPERATURE: MAX +80°C, MIN -40°C
 PRESSURE: MAX -50kPa
 VACUUM OVERPRESSURE: MAX 200kPa
 INSULATION TEST: 2000V 50Hz TO EARTH 60s.
 PROTECTION CLASS: IP55
 MATERIALS: PROCESS MEDIA CONTACTED PART OFF BRASS, TOMBAK AND STAINLESS STEEL

3	071113	New cable tagging	01022
2	070927	New Design	01010
LET	DATE	ALTERATION	C.N.



AB Qualitrol AKM
 Flygfältsgatan 6C
 SE - 128 30 Skarpnäck
 Sweden
 Phone: +46 8 447 54 50
 Fax: +46 8 604 68 10

TITLE: PRESSURE SWITCH

MODEL NO. 47500

Qualitrol and Qualitrol AKM are ISO 9001 system certified companies. Information subject to change without notice.